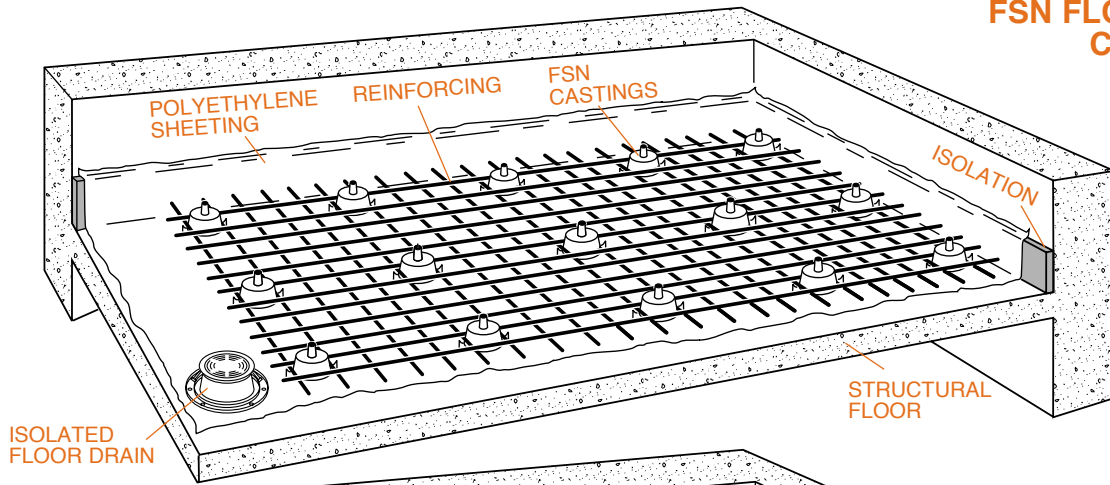


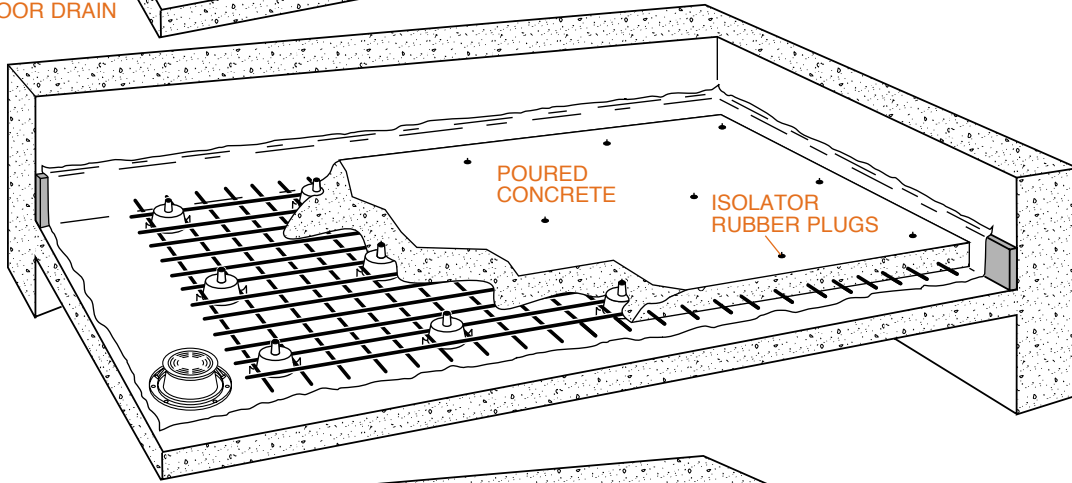


MASON MECHANICAL EQUIPMENT ROOM LDS JACK-UP SYSTEM

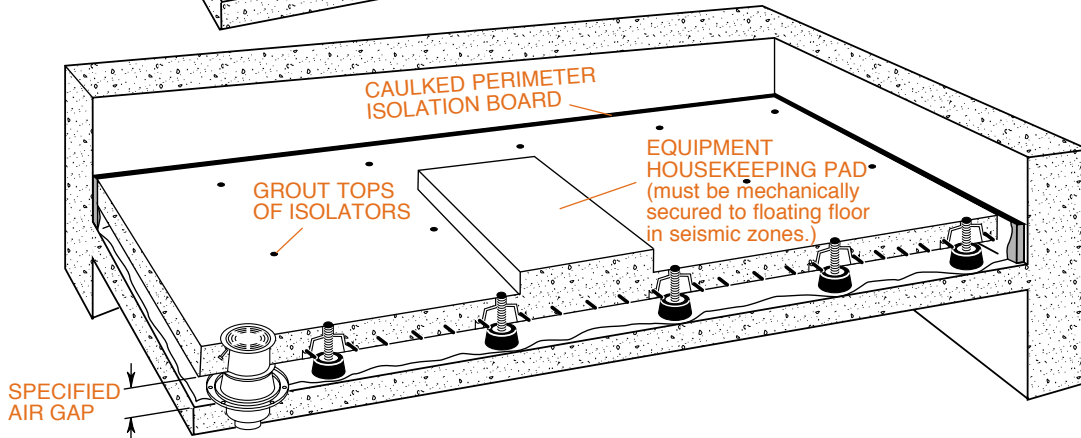
FSN FLOATING FLOOR CONSTRUCTION SEQUENCE



PLACEMENT OF ISOLATION MATERIALS



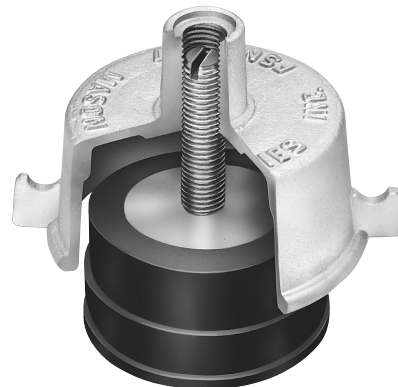
POURING OF CONCRETE



JACKED UP FLOATING FLOOR



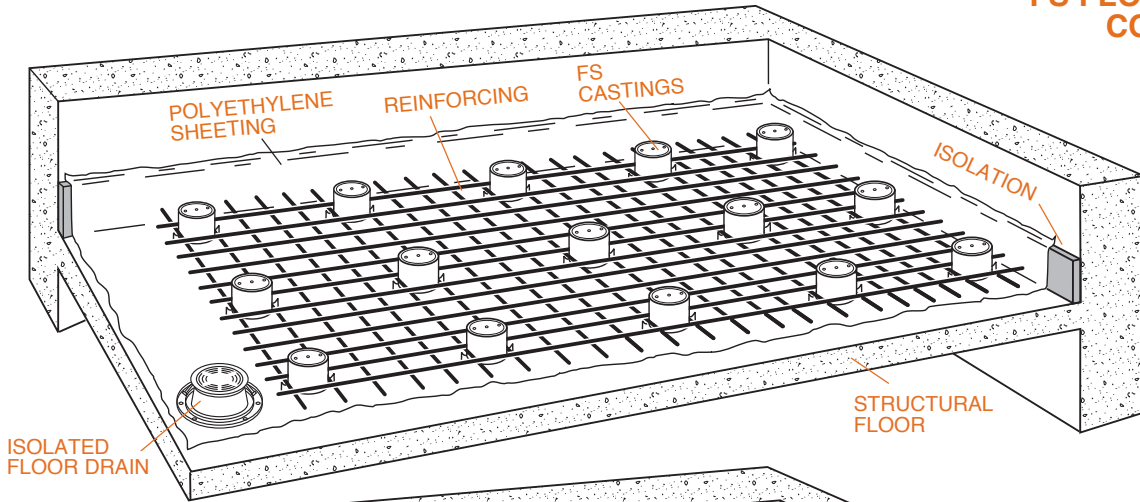
Type CFDA4 x 4 FLOOR DRAIN



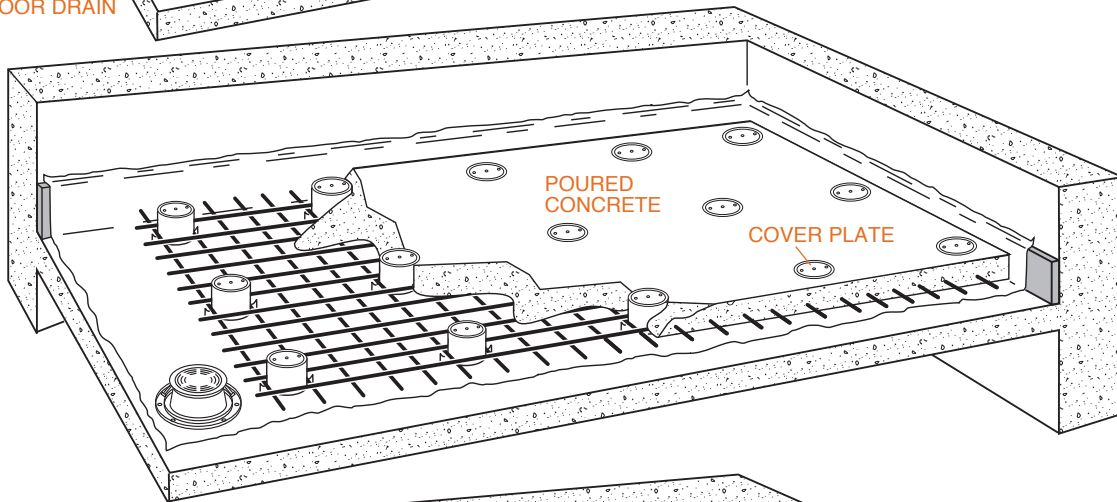
Type FSN LDS JACK-UP MOUNT

M MASON SPRING JACK-UP SYSTEM

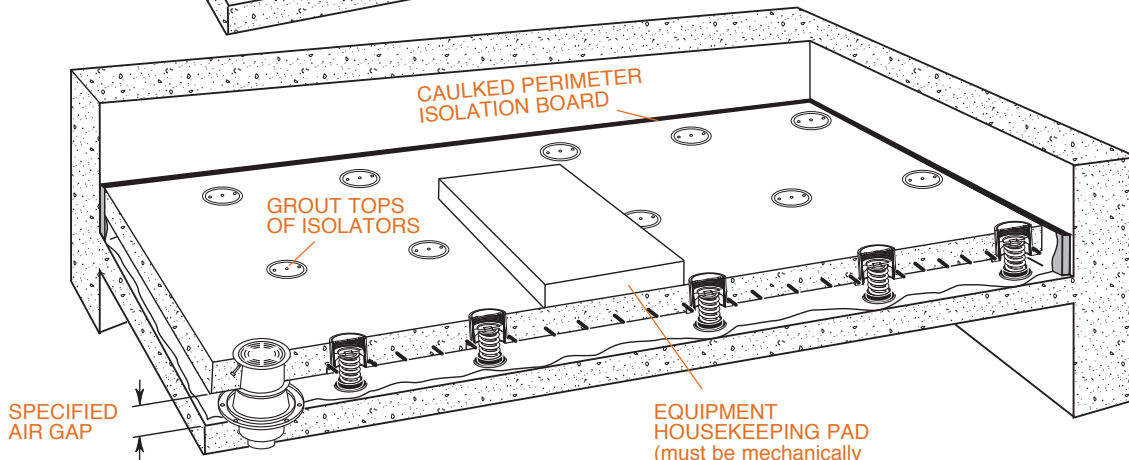
FS FLOATING FLOOR CONSTRUCTION SEQUENCE



PLACEMENT OF ISOLATION MATERIALS



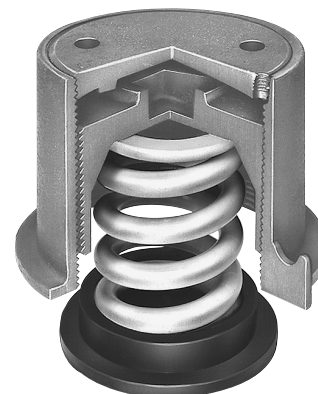
POURING OF CONCRETE



JACKED UP FLOATING FLOOR



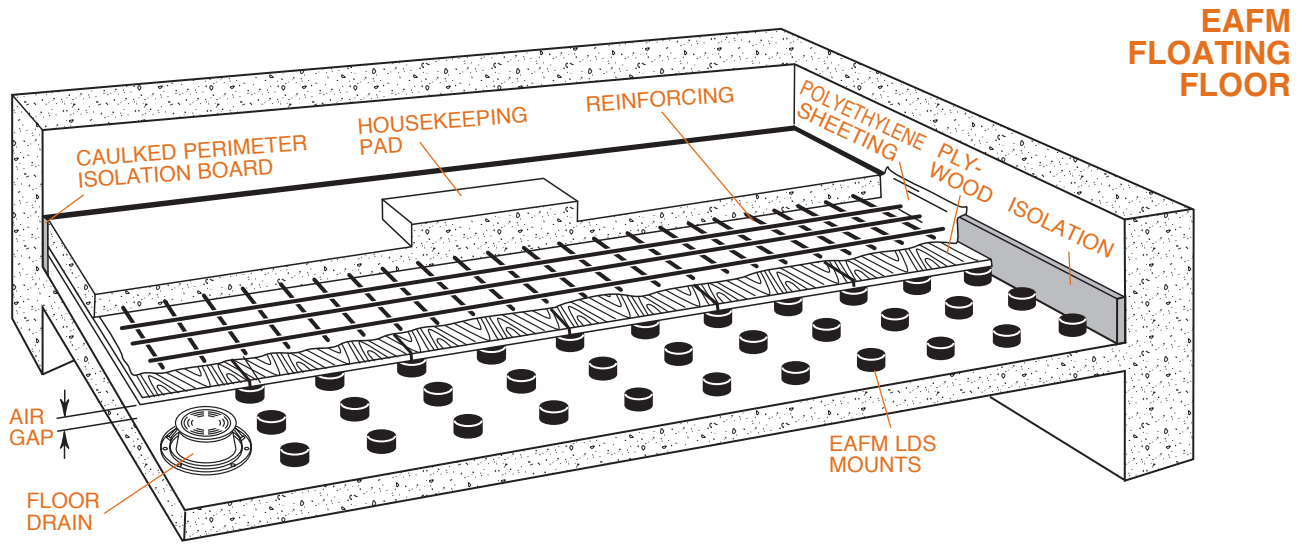
Type CFDA4 x 4 FLOOR DRAIN



Type FS SPRING JACK-UP MOUNT



MASON MECHANICAL EQUIPMENT ROOM LDS FORM-WORK SYSTEM



Type CFDA4 x 4
FLOOR DRAIN



Type EAFM
LDS FLOOR MOUNT